

MODEL**EB****SERIES 11**

BI-DIRECTIONAL KNIFE GATE VALVE

The EB(SER.11) model knife gate is a bi-directional wafer type valve designed for general industrial service applications. The design of the body and seat assures non-clogging shut off on suspended solids in industries such as:

- Wastewater treatment plants
- Food and Beverage
- Chemical plants
- Sludge Handling and storm tanks
- Agriculture
- Biogas plants

Sizes:

DN 2"/50mm to DN 48"/1200mm (larger diameters on request)

Working pressure:

DN 2"/ 50mm to DN 5"/ 125mm	230psi/(16 kg/cm ²)
DN 6"/ 150mm to DN 10"/ 250mm	150psi/(10 kg/cm ²)
DN 12"/300mm to DN 16"/ 400mm	90psi/ (6 kg/cm ²)
DN 18"/450mm	75psi/ (5 kg/cm ²)
DN 20"/500mm to DN 24"/ 600mm	60psi/ (4 kg/cm ²)
DN 28"/700mm to DN 48"/1200mm	30psi/ (2 kg/cm ²)

Standard flange connection:

DIN PN 10

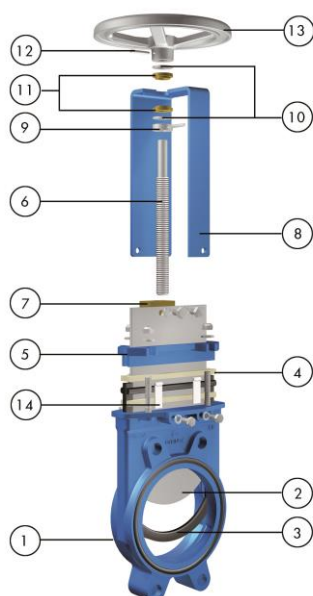
Other flange connections available on request

Directives:

For EU Directives and other Certificates, please see the document: Directives and Certificates Compliance - Knife Gate Valves - Catalogues and Datasheets

Face to face dimensions acc. to EN558-1 series 20 (replaces DIN 3202- K1) up to DN20"/500mm, for DN24"/600mm and above acc. standard Orbinox

All valves are tested prior to shipping in accordance with the standard developed by the Quality Control Department at ORBINOX.



STANDARD PARTS LIST

Part:	Materials:
1- Body	GJL 250 (GG25) / GJS 400 (GGG40)
2- Gate	AISI 304 (1.4301)
3- Seat	EPDM / Nitrile
4- Packing	PTFE Impreg. Synth. Fibre (ST)+ EPDM O-ring
5- Gland Follower	GJS400 (GGG40)
6- Stem	Stainless Steel
7- Stem Nut	Brass
8- Yoke	Carbon Steel - Epoxy Coated
9- Axial fixing bush	AISI 304 (1.4301)
10- Friction washer	PET + solid lubricant
11- Bushing	Bronze
12- Spring Pin	AISI 420 (1.4021) (ISO 8752)
13- Handwheel	DN≤12.20"/310mm: Aluminium (AlSi12); DN≥16.70"/410mm GJS400 (GGG40)
14- Slider (up to DN300)	Nylon

MODEL**EB****SERIES 11**

DESIGN FEATURES

BODY:

Wafer style cast monoblock design, internally machined up to DN 20"/500mm, with reinforced ribs in larger diameters for extra body strength. Special design that includes a new manufacturing process, the machining of the body inside, allowing for more control in the different dimensions tolerances. This machining results in a perfect adjustment of the body with the gate and the seal, reducing the required torque to maintain the tightness and avoiding any build-up of solids that could prevent the valve from closing. The valve design allows an end-of-line installation from DN 2"/50mm to DN 20"/500mm. The valve design changes from DN 600 and above to a two-part bolted body, also internally machined. Full port design in all cases for greater flow capacity and minimal pressure drop. The gate is guided on the whole stroke to ensure bi-directional shutoff. Standard EPDM O-ring on both valve flange connections for sealing.

GATE:

Stainless steel gate, as standard. Gate is polished on both sides for a greater seal between the gate with both packing and seat. Gate is fully guided in the body allowing for bi-directional service.

PACKING:

Standard PTFE impregnated synthetic fibre (ST) with EPDM O-ring, with an easy access packing gland ensuring a tight seal. Long-life braided packing is available in a wide range of materials.

NON RISING STEM:

The standard stainless steel stem offers a high and long corrosion resistant life.

ACTUATORS:

All actuators supplied by ORBINOX are interchangeable, and supplied with a standard mounting kit for installation purposes on site.

YOKE or ACTUATOR SUPPORT:

Made of EPOXY coated steel (stainless steel available on request). Compact design makes it extremely robust even under the most severe conditions.

EPOXY COATING:

The epoxy coating on all ORBINOX cast iron and carbon steel valve bodies and components is electrostatically applied making the valves to be corrosion resistant with a high quality finished surface. The ORBINOX standard colour is RAL-5015 blue.

GATE SAFETY PROTECTION:

ORBINOX automated valves are provided with gate guards in accordance with EU Safety Standards. The design feature prevents any objects from being caught accidentally while the gate is moving.*ONLY IN EUROPE

OTHER MATERIALS:

On request, following materials can be also supplied:

Body:

CF8M on some sizes

Gate:

AISI 316 or 316Ti

Stem:

AISI 316 or 316 Ti



ACTUATOR TYPES

MANUAL:

Handwheel (non-rising stem)
 Handwheel (rising stem)
 Chainwheel
 Lever
 Bevel Gear
 Others (square nut...)

AUTOMATIC:

Electric (rising & non-rising stem)
 Pneumatic (single & double-acting)
 Hydraulic

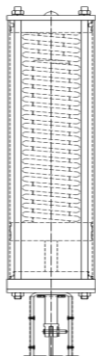
All actuators supplied by ORBINOX are interchangeable.

FAIL SAFE SYSTEMS

Used on pneumatic actuated valves

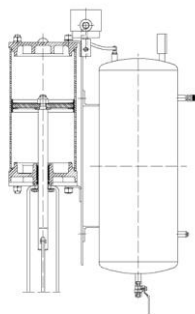
SINGLE ACTING (SPRING RETURN)

- Available from
DN 2"/50mm to DN 12"/300mm
- Supply pressure:
 - min. 75 psi / (5 kg/cm²)
 - max. 150 psi / (10 kg/cm²)
- Options:
 - Pneumatic or electric fail open
 - Pneumatic or electric fail close
 - Other options on request



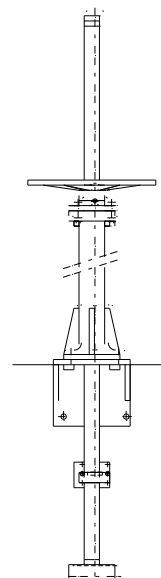
DOUBLE ACTING WITH AIR TANK

- Available for all valve sizes
- Supply pressure:
 - min. 50 psi / (3.5 kg/cm²)
 - max. 150 psi / (10 kg/cm²)
- Options:
 - Pneumatic or electric fail open
 - Pneumatic or electric fail close
 - Other options on request



ACCESSORIES

Mechanical stops
 Locking device
 Manual override
 Solenoid valves
 Positioners
 Limit switches
 Proximity switches
 Floor stands
 Stem extensions



Wide range of valve extensions available

For further information about fail safe systems and valve extensions, please see EX(SER.10) catalog.

We recommend to contact our technical department.

MODEL**EB****SERIES 11**

TEMPERATURE CHART

SEAT / SEALS

Material	Max.T.(°F)	(°C)	Applications
EPDM (E)	248	120	Acid and non mineral oils
NBR (N)	248	120	Resistance to petroleum products
On request:			
FKM-FPM (V)	392	200	Chemical service / High temp.

PACKING

Material	Max.Temp.(°F)		pH
PTFE impregn.synth fibre (ST)	482	250	2-13
Dynapack (DP)	518	270	2-14
Braided PTFE (TH)	500	2600	0-14

NOTE: All types include an elastomere O-ring (same material as seal), excluding TH.
Standard packing: ST

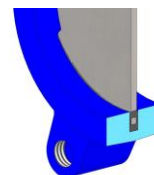
More details and other materials on request.

SEAT TYPES

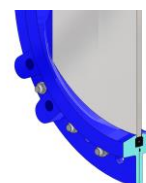
RESILIENT SEAT

This is the standard seat. The joint is seated on the body, fitted with a metallic core, in contact with the gate all over its perimeter. This layout provide an adequate watertightness and seamless liquid flow on both ways, avoiding at the same time any build-up of solids that would prevent the valve from closing. The seal is protected by the body itself.

- DN 2"/50mm-20"/500mm: Moulded seal with an internal steel core



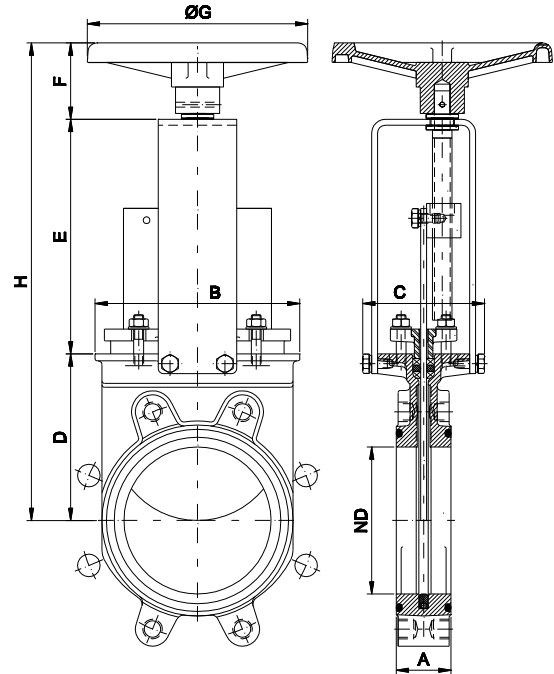
- DN ≥ 24"/600mm: Extruded seal with an internal steel wire



MODEL**EB****SERIES 11**

HANDWHEEL (non-rising stem)

- Standard manual actuator
- Consists of:
 - Handwheel
 - DN 2"/50mm-12"/300mm: Aluminum
 - DN ≥ 14"/350mm: GJS400 (GGG40)
 - Stem
 - Yoke bushing
 - Stem nut fixed to the gate
- Available from DN 2"/50mm to DN 24"/600mm
- Options (on request):
 - Locking Device
 - Extension
 - Square Nut Drive



DN(" / mm)	A	B	C	D	E	F	ØG	H	Weight (lbs./kg.)
2"/50	12,70/43	4,49/113	4,88/124	4,13/105	5,67/144	2,48/63	8,86/225	12,28/312	18/8
2,5"/65	1,81/46	5,04/128	4,88/124	4,53/115	6,34/161	2,48/63	8,86/225	13,34/339	20/9
3"/80	1,81/46	5,63/143	4,88/124	4,88/124	6,97/177	2,48/63	8,86/225	14,33/364	22/10
4"/100	2,05/52	6,38/162	4,88/124	5,52/140	7,95/202	2,48/63	8,86/225	15,94/405	26/12
5"/125	2,20/56	7,12/181	4,88/124	6/150	8,90/226	2,48/63	8,86/225	17,28/439	33/15
6"/150	2,20/56	8,22/209	4,88/124	6,69/170	9,92/252	2,48/63	8,86/225	19,09/485	37/17
8"/200	2,36/60	10,35/263	5,60/142	8,07/205	12,48/317	2,87/73	12,20/310	23,42/595	66/30
10"/250	2,68/68	12,40/315	5,60/142	10/250	14,64/372	2,87/73	12,20/310	27,36/695	92/42
12"/300	3,07/78	14,57/370	5,60/142	11,41/290	16,61/422	2,87/73	12,20/310	31,30/795	132/60
14"/350	33,07/78	16,53/420	7,75/197	12,80/325	20,03/509	3,86/98	16,14/410	37,20/945	198/90
16"/400	4,02/102	18,81/478	7,75/197	14,14/360	22,00/559	3,86/98	16,14/410	41,30/1049	309/140
18"/450	4,49/114	20,86/530	7,91/201	16,14/410	24,05/611	3,86/98	21,65/550	44,92/1141	408/185
20"/500	5/127	23/584	7,91/201	17,71/450	26,42/671	3,86/98	21,65/550	49,37/1254	450/204
24"/600	4,33/110	30/762	7,91/201	20,07/510	30,35/771	3,86/98	21,65/550	57,44/1459	507/230

A: EN558-1 series 20 up to DN20"/500mm

ООО «ТИ-СИСТЕМС» ИНЖИНИРИНГ И ПОСТАВКА ТЕХНОЛОГИЧЕСКОГО ОБОРУДОВАНИЯ

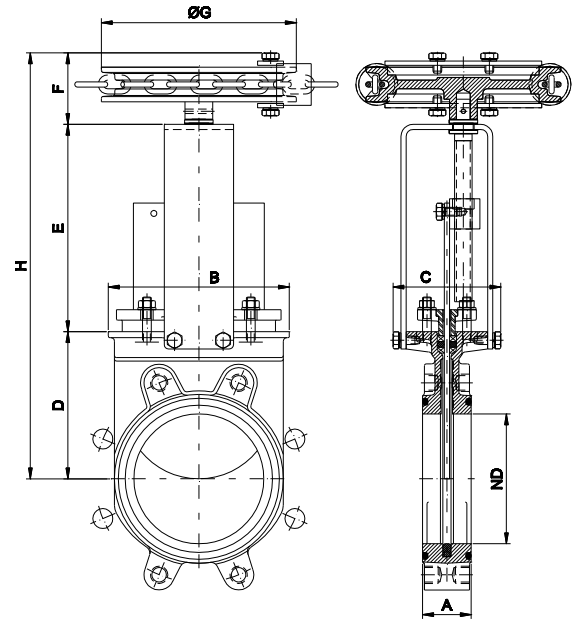
Интернет: www.tisys.ru www.tisys.kz www.tisys.by www.tesec.ru www.ти-системс.рф

Телефоны: +7 (495) 7774788, 7489626, (925) 5007155, 54, 65 Эл. почта: info@tisys.ru info@tisys.kz info@tisys.by

MODEL**EB****SERIES 11**

CHAINWHEEL (non-rising stem)

- Recommended for elevated installations.
- Consists of:
 - Chainwheel: Epoxy coated Cast Iron
 - Stem
 - Yoke bushings
 - Stem nut
- Available from DN 2"/50mm to DN 24"/600mm
- Options (on request):
 - Locking Device
 - Extensions and floor stands

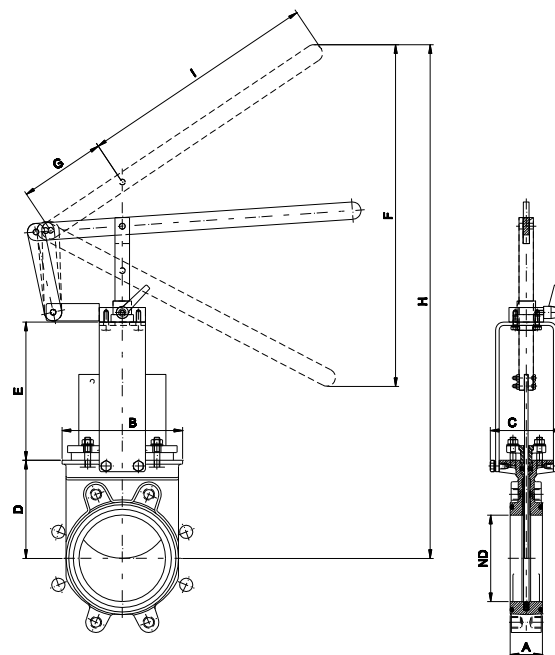


DN(″/mm)	A	B	C	D	E	F	ØG	H
2″/50	1,70/43	4,49/113	4,88/124	4,13/105	5,67/144	3,23/82	8,86/225	13,03/331
2,5″/65	1,81/46	5,04/128	4,88/124	4,53/115	6,34/161	3,23/82	8,86/225	14,09/358
3″/80	1,81/46	5,63/143	4,88/124	4,88/124	6,97/177	3,23/82	8,86/225	15,08/383
4″/100	2,05/52	6,38/162	4,88/124	5,52/140	7,95/202	3,23/82	8,86/225	16,69/424
5″/125	2,20/56	7,12/181	4,88/124	6/150	8,90/226	3,23/82	8,86/225	18,03/458
6″/150	2,20/56	8,22/209	4,88/124	6,69/170	9,92/252	3,23/82	8,86/225	19,84/504
8″/200	2,36/60	10,35/263	5,60/142	8,07/205	12,48/317	3,46/88	12/300	24,01/610
10″/250	2,68/68	12,40/315	5,60/142	10/250	14,64/372	3,46/88	12/300	27,95/710
12″/300	3,07/78	14,57/370	5,60/142	11,41/290	16,61/422	3,46/88	12/300	31,50/800
14″/350	3,07/78	16,53/420	7,75/197	12,80/325	20,03/509	3,85/98	17,87/454	36,69/932
16″/400	4,02/102	18,81/478	7,75/197	14,17/360	22,00/559	3,85/98	17,87/454	40,03/1017
18″/450	4,49/114	20,86/530	7,91/201	16,14/410	24,05/611	3,85/98	17,87/454	44,05/1119
20″/500	5/127	23/584	7,91/201	17,71/450	26,42/671	3,85/98	17,87/454	47,99/1219
24″/600	4,33/110	30/762	7,91/201	20,07/510	30,35/771	3,85/98	17,87/454	54,29/1379

A: EN558-1 series 20 up to DN20″/500mm

MODEL**EB****SERIES 11****LEVER**

- Recommended for quick opening and closing.
- Consists of:
 - Lever
 - Stem
 - Yoke sleeve
 - Lever lock
- Available from DN 2"/50mm to DN 6"/150mm



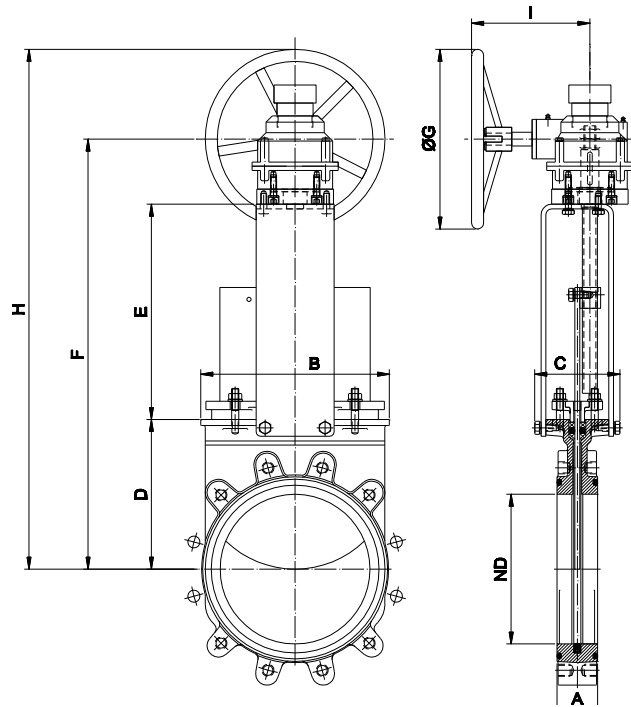
DN("/mm)	A	B	C	D	E	F	G	H	I
2"/50	1,70/43	4,49/113	4,88/124	4,13/105	5,20/132	9,52/242	6/150	16,14/410	12,40/315
2,5"/65	1,81/46	5,04/128	4,88/124	4,53/115	5,86/149	9,64/245	6/150	17,20/437	12,40/315
3"/80	1,81/46	5,63/143	4,88/124	4,88/124	6,50/165	11,29/287	6/150	20,07/510	12,40/315
4"/100	2,05/52	6,38/162	4,88/124	5,52/140	7,48/190	16,33/415	6/150	24,92/633	16,33/415
5"/125	2,20/56	7,12/181	4,88/124	6/150	8,42/214	19,80/503	6/150	29,72/755	16,33/415
6"/150	2,20/56	8,22/209	4,88/124	6,69/170	9,44/240	23,30/592	6/150	35,03/890	16,33/415

A: EN558-1 series 20 up to DN20"/500mm

MODEL**EB****SERIES 11**

GEAR (non-rising stem)

- Recommended for valves larger than DN 14"/350mm and working pressures greater than 50psi/(3,5 kg/cm²)
- Consists of:
 - Stem
 - Yoke
 - Bevel Gear Actuator with Handwheel (Standard Ratio 4:1)
- Available from DN 8"/200mm to DN 48"/1200mm
- Options:
 - Locking device
 - Extension and floor stand
 - Chainwheel
 - Rising stem

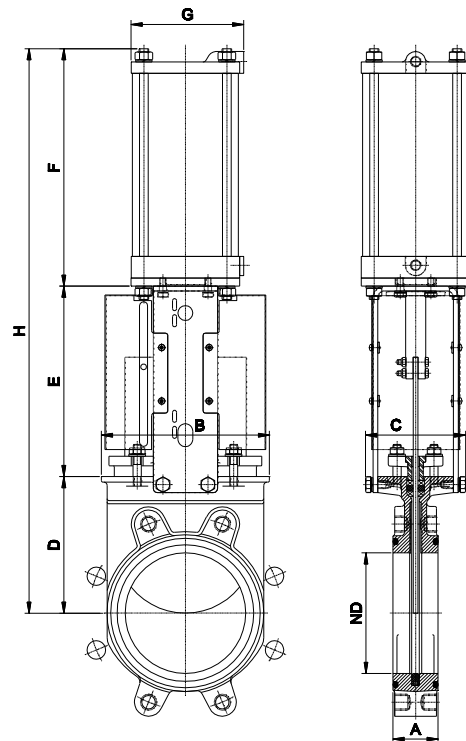


DN(″/mm)	A	B	C	D	E	F	ØG	H	I
8″/200	2,36/60	10,35/263	5,59/142	8,07/205	12/305	22,83/580	12/300	28,74/730	8/200
10″/250	2,67/68	12,40/315	5,59/142	10/250	14,17/360	26,77/680	12/300	32,67/830	8/200
12″/300	3,07/78	14,56/370	5,59/142	11,41/290	16,14/410	30,31/770	12/300	36,22/920	8/200
14″/350	3,07/78	16,53/420	7,75/197	12,79/325	19,29/490	35/890	18/450	43,89/1115	10,31/262
16″/400	4,01/102	18,81/478	7,75/197	14,17/360	21,25/540	38,38/975	18/450	47,24/1200	10,31/262
18″/450	4,48/114	20,86/530	7,91/201	16,14/410	23,30/592	42,40/1077	18/450	51,37/1305	10,31/262
20″/500	5/127	22,99/584	7,91/201	17,71/450	25,66/652	46,33/1177	18/450	55,31/1405	10,31/262
24″/600	4,33/110	30/762	7,91/201	20,07/510	29,72/755	52,75/1340	18/450	61,61/1565	10,31/262
28″/700	4,33/110	35,03/890	15,67/398	24,01/610	36/900	63,85/1622	18/450	72,71/1847	12,12/308
32″/800	4,33/110	39,84/1012	12,59/320	27,55/700	38,22/971	72,72/1847	25/650	79,01/2007	12,12/308
36″/900	4,33/110	43,78/1112	12,59/320	30,90/785	42,99/1092	77,28/1963	25/650	90,07/2288	11,34/288
40″/1000	4,33/110	48/1200	12,59/320	44,09/1120	47,05/1195	98,07/2491	25/650	110,86/2816	11,34/288
48″/1200	6/150	57,87/1470	17,71/450	52,75/1340	58,26/1480	117,95/2996	25/650	130,75/3321	11,34/288

A: EN558-1 series 20 up to DN20″/500mm.

PNEUMATIC CYLINDER

- The standard pneumatic actuator (double acting on-off cylinder) consists of:
 - $\varnothing \leq 12''/300\text{mm}$: Aluminum barrels
 - $\varnothing \geq 14''/350\text{mm}$: Composite barrels
 - Aluminum end covers
 - Stainless Steel (AISI 304) piston rod
 - Nitrile coated steel piston
- Available from DN 2''/50mm to DN 32''/800mm
- Supply Pressure: minimum 50psi/(3,5 kg/cm²) - maximum 150psi/(10 kg/cm²).
Actuator designed with 85psi/(6 kg/cm²) air supply
- For valves installed in a horizontal position, we recommend U-type support plates and/or actuator support
- Options (on request):
 - Hard anodized barrel and covers
 - Stainless Steel barrel and covers
 - Over/Undersized cylinder
 - Manual override
 - Fail safe system
 - Limit switches
- Instrumentation (on request):
 - Positioners
 - Solenoid valves
 - Flow regulators
 - Air preparation units



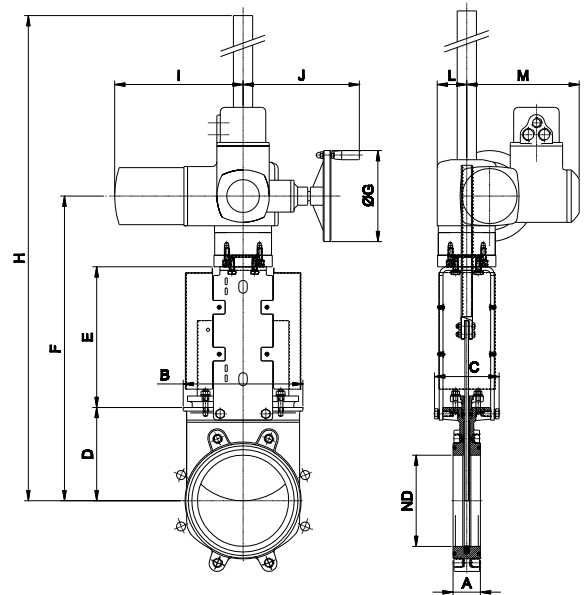
DN(″/mm)	A	B	C	D	E	F	G	H	Weight (lbs./kg.)	Standard Cyl	TM
2″/50	1,70/43	4,49/113	4,88/124	4,13/105	5,07/129	7,00/178	4,53/115	16,22/412	20/9	C4″-2.44″/(100-62)	¼″ G
2,5″/65	1,81/46	5,04/128	4,88/124	4,53/115	5,79/146	7,60/193	4,53/115	17,87/454	22/10	C4″-3.03″/(100-77)	¼″ G
3″/80	1,81/46	5,63/143	4,88/124	4,88/124	6,37/162	8,31/211	4,53/115	19,56/497	24/11	C4″-3.74″/(100-95)	¼″ G
4″/100	2,05/52	6,38/162	4,88/124	5,52/140	7,36/187	9,09/231	4,53/115	21,96/558	30/13.5	C4″-4.52″/(100-115)	¼″ G
5″/125	2,20/56	7,12/181	4,88/124	6/150	8,30/211	10,67/271	5,51/140	24,88/632	42/19	C5″-5.52″/(125-143)	¼″ G
6″/150	2,20/56	8,22/209	4,88/124	6,69/170	9,33/237	11,65/296	5,51/140	27,67/703	48/22	C5″-6.61″/(125-168)	¼″ G
8″/200	2,36/60	10,35/263	5,60/142	8,07/205	12,16/309	14,09/358	6,89/175	34,33/872	104/47	C6.30″-8.66″/(160-220)	¼″ G
10″/250	2,68/68	12,40/315	5,60/142	10/250	14,33/364	16,85/428	8,66/220	41,02/1042	128/58	C8″-10.62″/(200-270)	3/8″ G
12″/300	3,07/78	14,57/370	5,60/142	11,41/290	16,29/414	18,82/478	8,66/220	46,55/1182	185/84	C8″-12.60″/(200-320)	3/8″ G
14″/350	3,07/78	16,53/420	7,75/197	12,80/325	19,68/500	21,61/549	10,90/277	54,09/1374	287/130	C10″-14.76″/(250-375)	3/8″ G
16″/400	4,02/102	18,81/478	7,75/197	14,17/360	21,65/550	23,58/599	10,90/277	59,40/1509	400/181	C10″-16.73″/(250-425)	3/8″ G
18″/450	4,49/114	20,86/530	7,91/201	16,14/410	23,94/598	26,77/680	15,03/382	66,45/1688	518/235	C12″-18.70″/(300-475)	½″ G
20″/500	5/127	23/584	7,91/201	17,71/450	25,90/658	28,74/730	15,03/382	72,36/1838	666/302	C12″-20.67″/(300-525)	½″ G
24″/600	4,33/110	30/762	7,91/201	20,07/510	29,84/758	32,68/830	15,03/382	82,59/2098	694/315	C12″-24.61″/(300-625)	½″ G
28″/700	4,33/110	35,04/890	14,96/380	23,66/601	34,45/875	38,77/985	17,48/444	96,88/2461	1058/480	C14″-28.74″/(350-730)	¾″ G
32″/800	4,33/110	39,84/1012	12,60/320	27,36/695	38,34/974	42,77/1085	17,48/444	106,45/2704	1290/585	C14″-32.68″/(350-830)	¾″ G

A: EN558-1 series 20 up to DN 20″/500mm

MODEL**EB****SERIES 11**

ELECTRIC ACTUATOR (rising stem)

- Consists of:
 - Electric motor
 - Motor support yoke flange acc. to ISO 5210 / DIN 3338
- The standard electric motor is equipped with:
 - Manual emergency operation
 - Limit switches (open/closed)
 - Torque switches
- Available from DN 2"/50mm to DN 48"/1200mm
- For valves installed in a horizontal position, we recommend U-type support plates and/or actuator support
- Wide types and marks range available to meet customer's needs

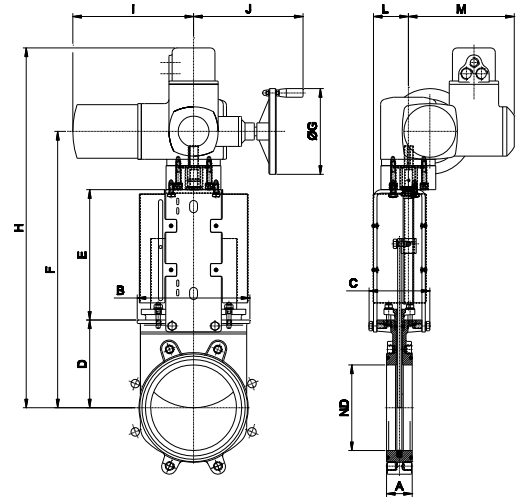


DN ^("/mm)	A	B	C	D	E	F	ØG	H	I	J	L	M	StemØxpitch	Torque (ft.LBS/Nm)
2"/50	1,70/43	4,49/113	4,88/124	4,13/105	5,07/129	14,84/377	6,30/160	20,94/532	10,43/265	9,80/249	2,44/62	9,37/238	0,79 x 0,16/20 x 4	7,4/10
2,5"/65	1,81/46	5,04/128	4,88/124	4,53/115	5,79/146	15,90/404	6,30/160	23,62/600	10,43/265	9,80/249	2,44/62	9,37/238	0,79 x 0,16/20 x 4	7,4/10
3"/80	1,81/46	5,63/143	4,88/124	4,88/124	6,37/162	16,88/429	6,30/160	26,73/674	10,43/265	9,80/249	2,44/62	9,37/238	0,79 x 0,16/20 x 4	7,4/10
4"/100	2,05/52	6,38/162	4,88/124	5,52/140	7,36/187	18,50/470	6,30/160	26,18/665	10,43/265	9,80/249	2,44/62	9,37/238	0,79 x 0,16/20 x 4	7,4/10
5"/125	2,20/56	7,12/181	4,88/124	6/150	8,30/211	19,84/504	6,30/160	27,55/700	10,43/265	9,80/249	2,44/62	9,37/238	0,79 x 0,16/20 x 4	11,1/15
6"/150	2,20/56	8,22/209	4,88/124	6,69/170	9,33/237	21,65/550	6,30/160	44,09/1120	10,43/265	9,80/249	2,44/62	9,37/238	0,79 x 0,16/20 x 4	14,8/20
8"/200	2,36/60	10,35/263	5,60/142	8,07/205	12,16/309	25,86/657	6,30/160	48,70/1237	10,43/265	9,80/249	2,44/62	9,37/238	0,98 x 0,2/25 x 5	22,2/30
10"/250	2,68/68	12,40/315	5,60/142	10/250	14,33/364	29,80/757	6,30/160	52,63/1337	10,43/265	9,80/249	2,44/62	9,37/238	0,98 x 0,2/25 x 5	33,3/45
12"/300	3,07/78	14,57/370	5,60/142	11,41/290	16,29/414	33,34/847	6,30/160	56,18/1427	10,43/265	9,80/249	2,44/62	9,37/238	0,98 x 0,2/25 x 5	29,50/40
14"/350	3,07/78	16,53/420	7,75/197	12,80/325	20/500	37,59/955	7,87/200	60,43/1535	11,14/283	10/254	2,55/65	9,76/248	1,38 x 0,24/35 x 6	51,8/70
16"/400	4,02/102	18,81/478	7,75/197	14,17/360	21,65/550	40,94/1040	7,87/200	63,77/1620	11,14/283	10/254	2,55/65	9,76/248	1,38 x 0,24/35 x 6	66,38/90
18"/450	4,49/114	20,86/530	10,63/270	16,14/410	23,94/598	44,44/1129	7,87/200	67,87/1724	11,14/283	10/254	2,55/65	9,76/248	1,38 x 0,24/35 x 6	81,4/110
20"/500	5/127	26,93/684	10,63/270	17,71/450	25,90/658	48,74/1238	7,87/200	72,16/1833	11,14/283	10/254	3,58/91	9,76/248	1,38 x 0,24/35 x 6	70,06/95
24"/600	4,33/110	30/762	10,63/270	19,80/503	29,84/758	54,17/1376	12,40/315	82,40/2093	15,31/389	13,22/336	3,58/91	11,25/286	1,38 x 0,24/35 x 6	103,26/140
28"/700	4,33/110	35,04/890	14,96/380	24,01/610	34,45/875	65,35/1660	12,40/315	110,23/2800	15,31/389	13,22/336	3,58/91	11,25/286	1,57 x 0,27/40 x 7	88,50/120
32"/800	4,33/110	39,84/1012	12,60/320	28/700	38,54/979	72,79/1849	12,40/315	117,67/2989	15,31/389	13,22/336	3,58/91	11,25/286	1,97 x 0,31/50 x 8	132,76/180
36"/900	4,33/110	43,77/1112	12,60/320	30,90/785	43,89/1115	82,08/2085	12,40/315	126,96/3225	15,31/389	13,22/336	3,58/91	11,25/286	1,97 x 0,31/50 x 8	163,74/220
40"/1000	4,33/110	48/1200	12,60/320	44,09/1120	48,22/1225	99,02/2515	15,74/400	144,49/3670	15,31/389	13,34/339	3,58/91	11,25/286	1,97 x 0,31/50 x 8	221,27/300
48"/1200	5,90/150	57,87/1470	18/450	52,75/1340	58,46/1485	118,54/3011	20/500	174,40/4430	16,93/430	14,37/365	8/200	12,99/330	2,36 x 0,35/60 x 9	354,03/480

A: EN558-1 series 20 up to DN20"/500mm
 Maximum pressure torque in clean water at room temperature

MODEL**EB****SERIES 11****ELECTRIC ACTUATOR (non-rising stem)**

- Consists of:
 - Electric motor
 - Motor support yoke flange acc. to ISO 5210 / DIN 3338
- The standard electric motor is equipped with:
 - Manual emergency operation
 - Limit switches (open/closed)
 - Torque switches
- Available from DN 2"/50mm to DN 48"/1200mm
- For valves installed in a horizontal position, we recommend U-type support plates and/or actuator support
- Wide types and marks range available to meet customer's needs



DN ("/mm)	A	B	C	D	E	F	ØG	H	I	J	L	M	Stem Ø x pitch	Torque (ft.LBS/Nm)
2"/50	1,70/43	4,49/113	4,88/124	4,13/105	5,19/132	14,56/370	6,30/160	21,45/545	10,43/265	9,80/249	2,83/72	9,37/238	0.79 x 0.11/20 x 3	7.4/10
2,5"/65	1,81/46	5,04/128	4,88/124	4,53/115	5,86/149	15,63/397	6,30/160	22,51/572	10,43/265	9,80/249	2,83/72	9,37/238	0.79 x 0.11/20 x 3	7.4/10
3"/80	1,81/46	5,63/143	4,88/124	4,88/124	6,49/165	16,61/422	6,30/160	23,50/597	10,43/265	9,80/249	2,83/72	9,37/238	0.79 x 0.11/20 x 3	7.4/10
4"/100	2,05/52	6,38/162	4,88/124	5,52/140	7,48/190	18,22/463	6,30/160	25,11/638	10,43/265	9,80/249	2,83/72	9,37/238	0.79 x 0.11/20 x 3	7.4/10
5"/125	2,20/56	7,12/181	4,88/124	6/150	8,42/214	19,56/497	6,30/160	26,45/672	10,43/265	9,80/249	2,83/72	9,37/238	0.79 x 0.11/20 x 3	11.1/15
6"/150	2,20/56	8,22/209	4,88/124	6,69/170	9,45/240	21,38/543	6,30/160	28,27/718	10,43/265	9,80/249	2,83/72	9,37/238	0.79 x 0.11/20 x 3	14.8/20
8"/200	2,36/60	10,35/263	5,60/142	8,07/205	13,19/335	26,81/681	6,30/160	33,70/856	10,43/265	9,80/249	3,22/82	9,37/238	0.98 x 0.2/25 x 5	22.2/30
10"/250	2,68/68	12,40/315	5,60/142	10/250	14,17/360	29,57/751	6,30/160	36,45/926	10,43/265	9,80/249	3,22/82	9,37/238	0.98 x 0.2/25 x 5	33.3/45
12"/300	3,07/78	14,57/370	5,60/142	11,41/290	16,14/410	33,11/841	6,30/160	40/1016	10,43/265	9,80/249	3,22/82	9,37/238	0.98 x 0.2/25 x 5	29.50/40
14"/350	3,07/78	16,53/420	7,75/197	12,80/325	19,17/487	36,41/925	7,87/200	43,31/1100	11,14/283	10/254	5,03/128	9,76/248	1.38 x 0.24/35 x 6	51.8/70
16"/400	4,02/102	18,81/478	7,75/197	14,17/360	21,14/537	39,76/1010	7,87/200	46,65/1185	11,14/283	10/254	5,03/128	9,76/248	1.38 x 0.24/35 x 6	66.38/90
18"/450	4,49/114	20,86/530	10,63/270	16,14/410	23,19/589	43,77/1112	7,87/200	50,66/1287	11,14/283	10/254	5,11/130	9,76/248	1.38 x 0.24/35 x 6	81.4/110
20"/500	5/127	23/584	10,63/270	17,71/450	25,55/649	47,71/1212	7,87/200	54,60/1387	11,14/283	10/254	5,11/130	9,76/248	1.38 x 0.24/35 x 6	70.06/95
24"/600	4,33/110	30/762	10,63/270	19,80/503	32,00/813	59,01/1500	12,40/315	66,33/1685	15,31/389	13,22/336	5,11/130	11,25/286	1.38 x 0.24/35 x 6	103.26/140
28"/700	4,33/110	35,04/890	14,96/380	24,01/610	35,04/890	66,14/1680	12,40/315	73,42/1865	15,31/389	13,22/336	7,95/202	11,25/286	1.57 x 0.27/40 x 7	88.50/120
32"/800	4,33/110	39,84/1012	12,60/320	28/700	38,58/980	73,03/1855	12,40/315	80,31/2040	15,31/389	13,22/336	7,95/202	11,25/286	1.97 x 0.31/50 x 8	132.76/180
36"/900	4,33/110	43,77/1112	12,60/320	30,90/785	43,19/1097	81,57/2072	12,40/315	88,85/2257	15,31/389	13,22/336	7,95/202	11,25/286	1.97 x 0.31/50 x 8	163.74/220
40"/1000	4,33/110	48/1200	12,60/320	40,09/1120	48,23/1225	99,02/2515	15,74/400	106,30/2700	15,31/389	13,34/339	7,95/202	11,25/286	1.97 x 0.31/50 x 8	221.27/300
48"/1200	5,90/150	57,87/1470	18/450	52,75/1340	62,99/1600	124,01/3150	20/500	131,30/3335	16,93/430	14,37/365	11,18/284	12,93/330	2.36 x 0.35/60 x 9	354.03/480

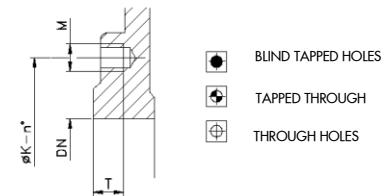
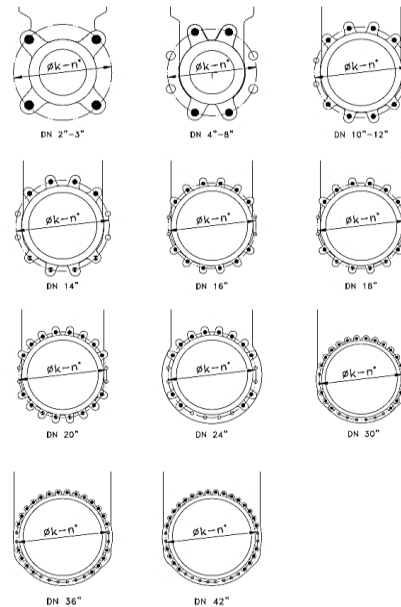
ООО «ТИ-СИСТЕМС» ИНЖИНИРИНГ И ПОСТАВКА ТЕХНОЛОГИЧЕСКОГО ОБОРУДОВАНИЯ

Интернет: www.tisys.ru www.tisys.kz www.tisys.by www.tesec.ru www.ти-системс.рфТелефоны: +7 (495) 7774788, 7489626, (925) 5007155, 54, 65 Эл. почта: info@tisys.ru info@tisys.kz info@tisys.by

FLANGE AND BOLTING DETAILS

ANSI B16.5 /B16.47, class

DN	K	n°	M	T			
2"	4 3/4"	4	5/8" - 11 UNC	3/8"	4 - 0 - 0		
2 1/2"	5 1/2"	4	5/8" - 11 UNC	3/8"	4 - 0 - 0		
3"	6"	4	5/8" - 11 UNC	3/8"	4 - 0 - 0		
4"	7 1/2"	8	5/8" - 11 UNC	3/8"	4 - 0 - 4		
5"	8 1/2"	8	3/4" - 10 UNC	3/8"	4 - 0 - 4		
6"	9 1/2"	8	3/4" - 10 UNC	1/2"	4 - 0 - 4		
8"	11 3/4"	8	3/4" - 10 UNC	1/2"	4 - 0 - 4		
10"	14 1/4"	12	7/8" - 9 UNC	3/4"	8 - 0 - 4		
12"	17"	12	7/8" - 9 UNC	3/4"	8 - 0 - 4		
14"	18 3/4"	12	1" - 8 UNC	7/8"	4 - 4 - 4		
16"	21 1/4"	16	1" - 8 UNC	1"	12 - 0 - 4		
18"	22 3/4"	16	1 1/8" - 7 UNC	1"	8 - 4 - 4		
20"	25"	20	1 1/8" - 7 UNC	1"	12 - 4 - 4		
24"	29 1/2"	20	1 1/4" - 7 UNC	1"	16 - 0 - 8		
30"	36"	28	1 1/4" - 7 UNC	3/4"	18 - 0 - 10		
36"	42 3/4"	32	1 1/2" - 6 UNC	3/4"	22 - 0 - 10		
42"	49 1/2"	36	1 1/2" - 6 UNC	3/4"	24 - 0 - 12		



- BLIND TAPPED HOLES
- TAPPED THROUGH
- THROUGH HOLES

EN 1092-2 PN 10

DN	K	n°	M	T			
50	125	4	M-16	10	4 - 0 - 0		
65	145	4	M-16	10	4 - 0 - 0		
80	160	8	M-16	12	4 - 0 - 4		
100	180	8	M-16	12	4 - 0 - 4		
125	210	8	M-16	14	4 - 0 - 4		
150	240	8	M-20	14	4 - 0 - 4		
200	295	8	M-20	14	4 - 0 - 4		
250	350	12	M-20	18	8 - 0 - 4		
300	400	12	M-20	21	8 - 0 - 4		
350	460	16	M-20	21	6 - 6 - 4		
400	515	16	M-24	28	6 - 6 - 4		
450	565	20	M-24	30	12 - 4 - 4		
500	620	20	M-24	40	8 - 8 - 4		
600	725	20	M-27	26	12 - 0 - 8		
700	840	24	M-27	20	16 - 0 - 8		
800	950	24	M-30	20	16 - 0 - 8		
900	1050	28	M-30	20	20 - 0 - 8		
1000	1160	28	M-33	20	20 - 0 - 8		
1200	1380	32	M-36	35	22 - 0 - 10		

